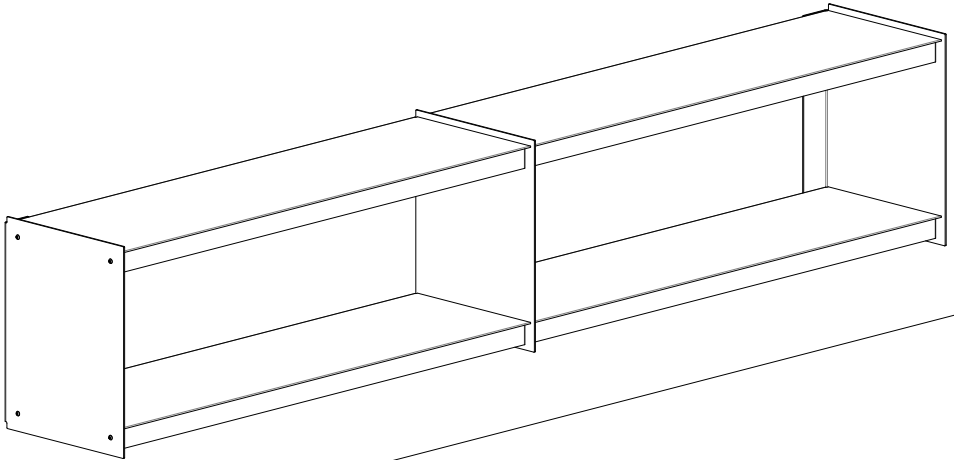




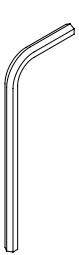
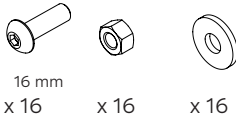
Plié Shelving System by
FROM INDUSTRIAL DESIGN



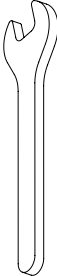
Assembly Instructions
Wall Mount Extension

These quick steps will guide you throughout the assembly of all of the wall mounted versions of the Plié.

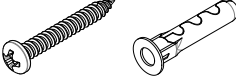
Tools and parts Included:



x 1
Hex Key

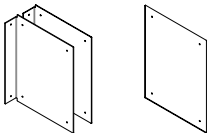


x 1
Open End
Wrench

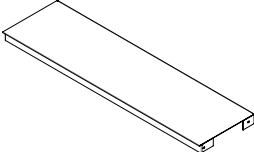


Hardwall screw set

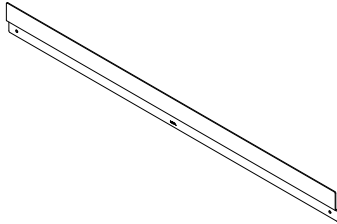
2 x
Side Panels 1 x
Mid Panel



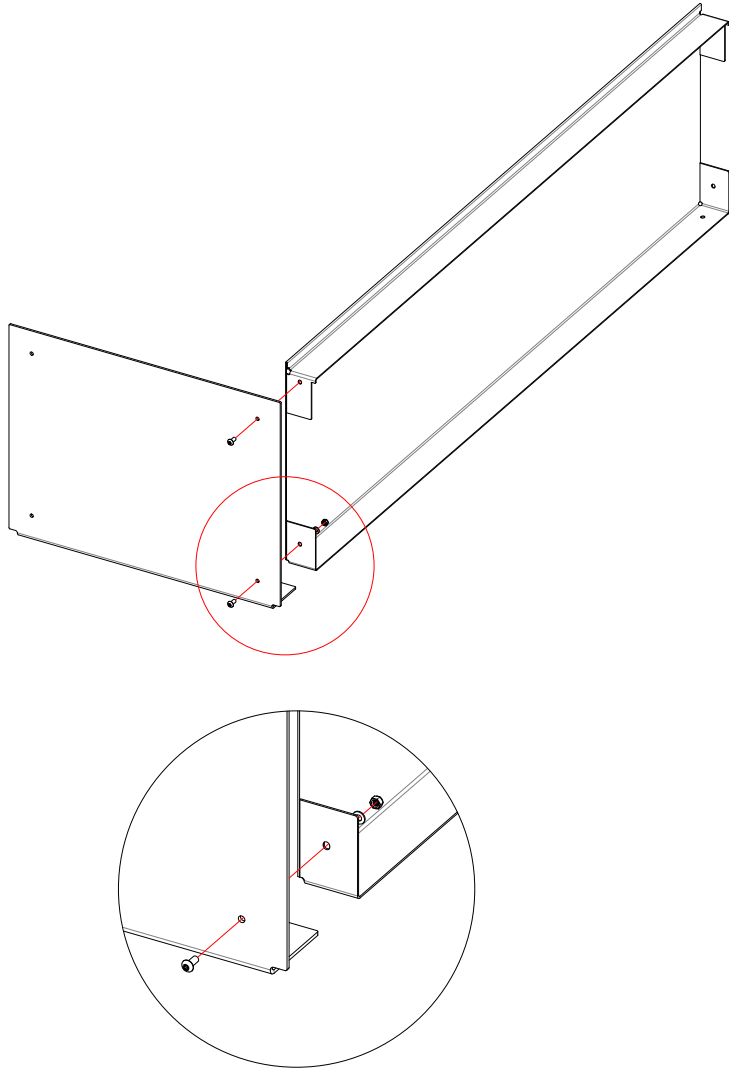
4 x Top Shelf



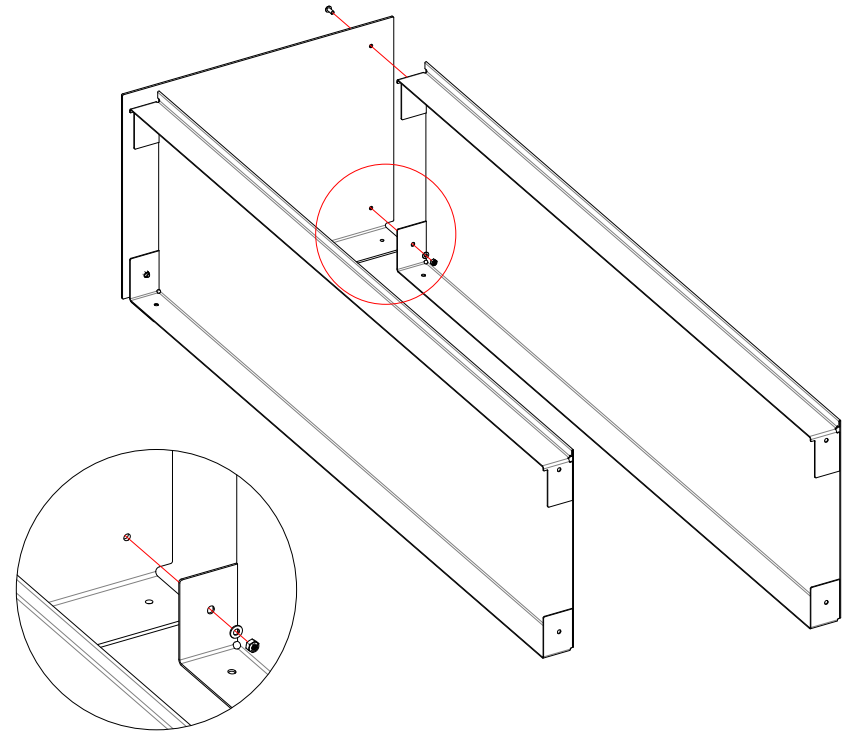
2 x Wall Mounting Bar



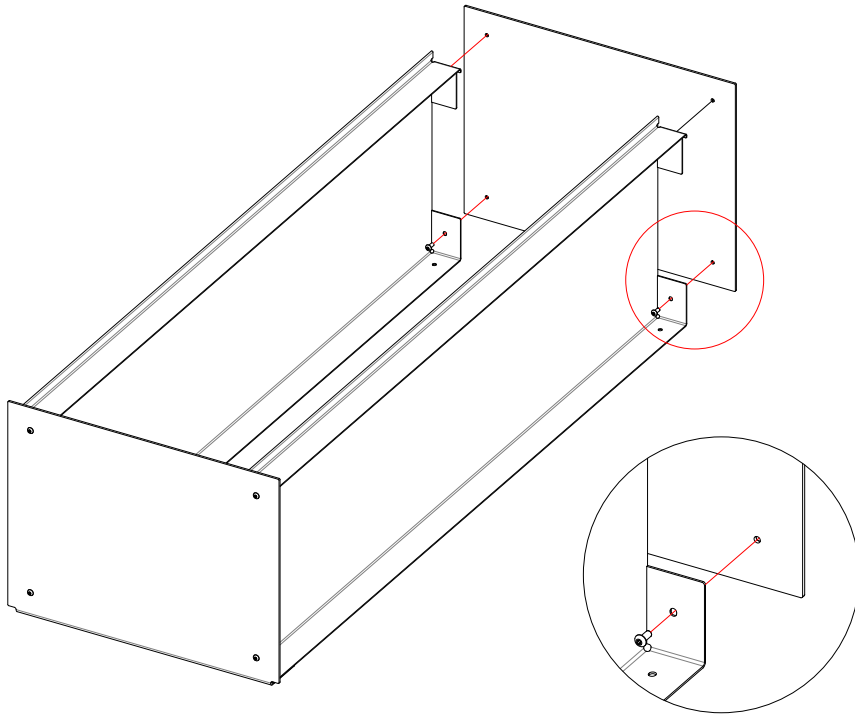
1 With the parts laying on a soft surface start by assembling the bottom shelf and side screws. This way the parts will hold while you attach the other screws.



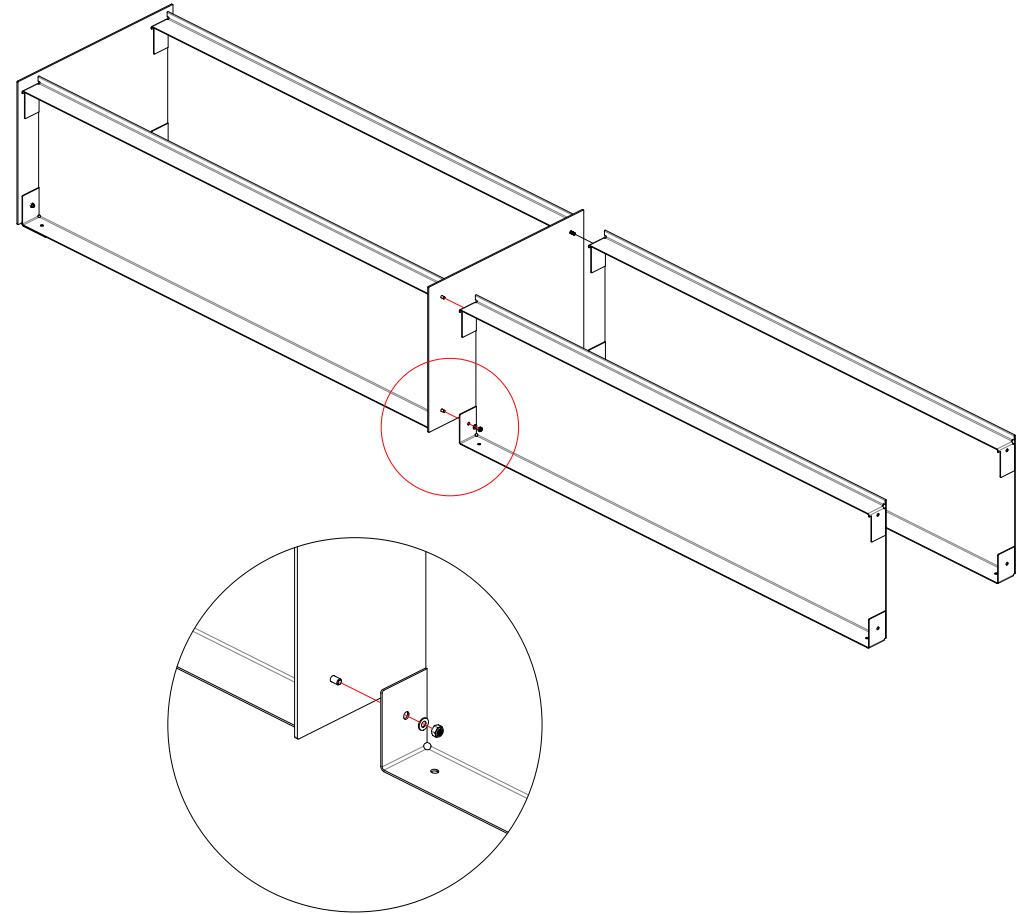
2 Setup the top shelf as illustrated below.



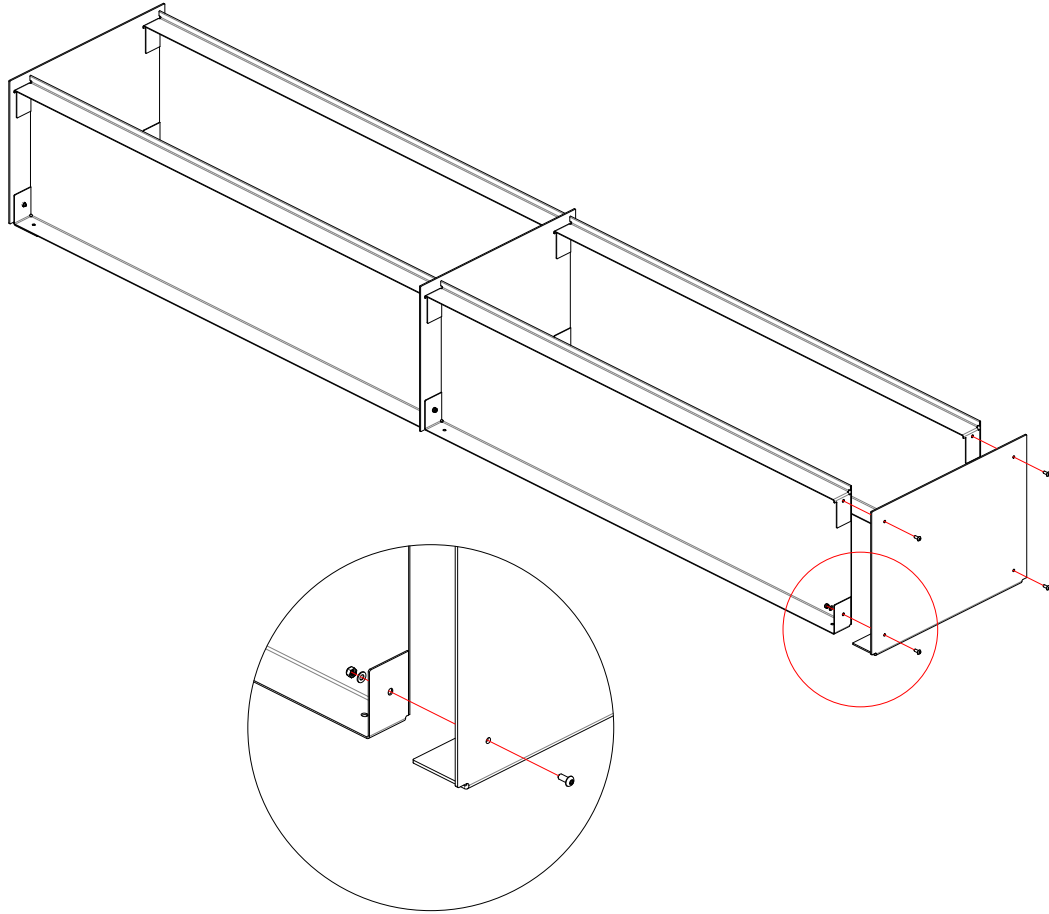
3 For the middle section of the unit place the Mid Panel with 4 screws.



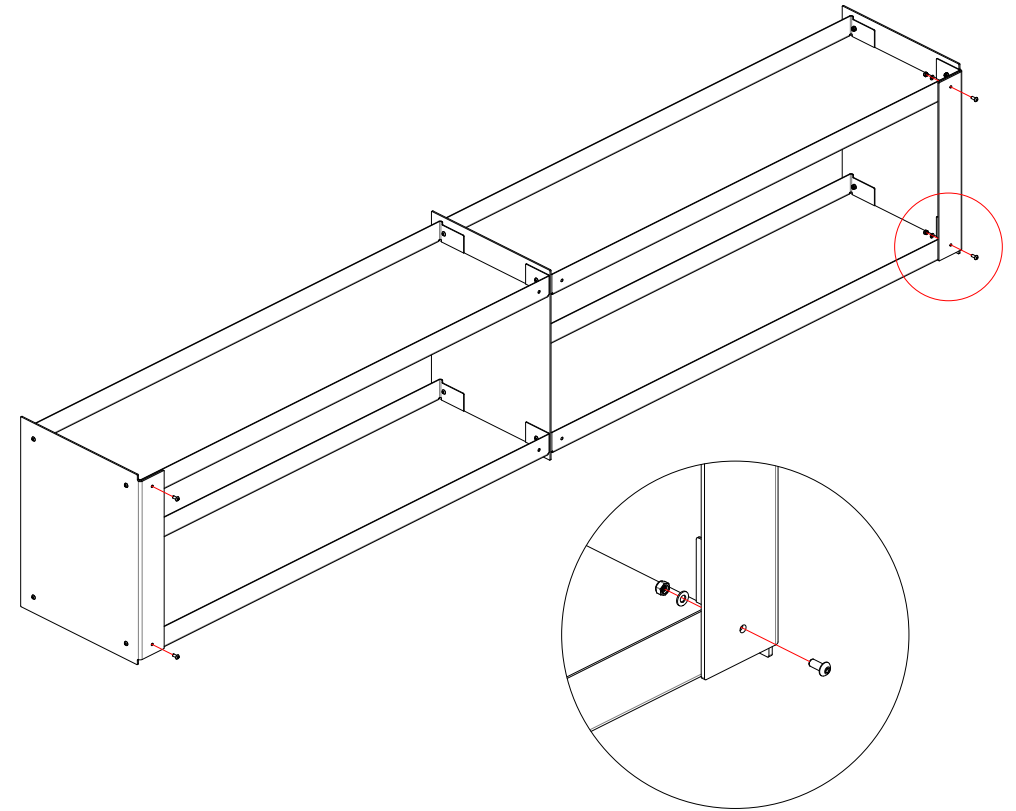
4 Fix the remaining two shelves with the washers and bolts provided.



5 Fix the remaining side panel on the end of the unit using 4 screws. Similar to steps 1 and 2.

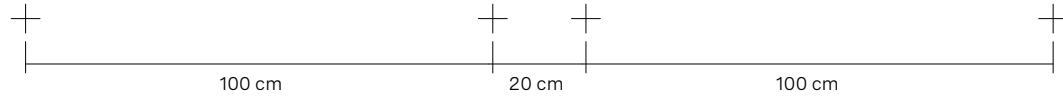


6 Flip the unit upside down so it is easier to fix the 4 last screws on the back of the unit.

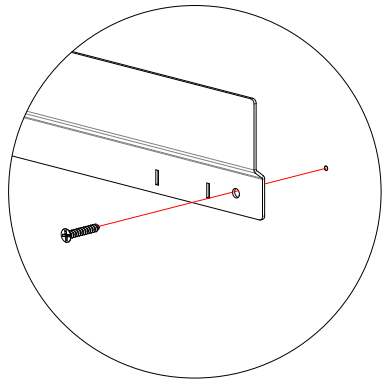
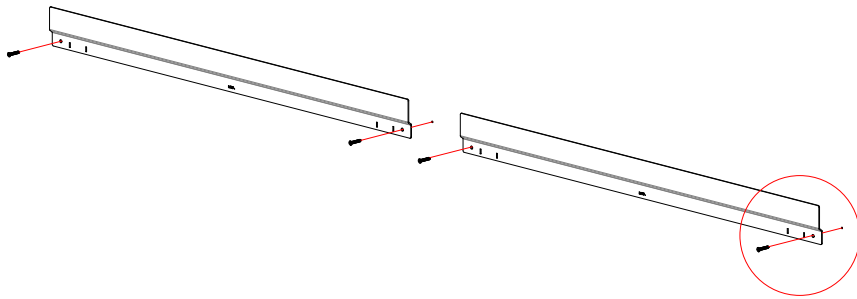
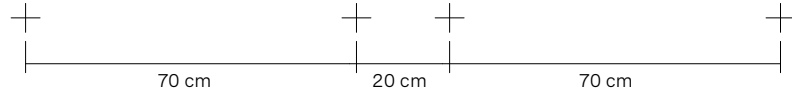


7 Do the wall markings and drill the holes so you fix the wall mounting bar.

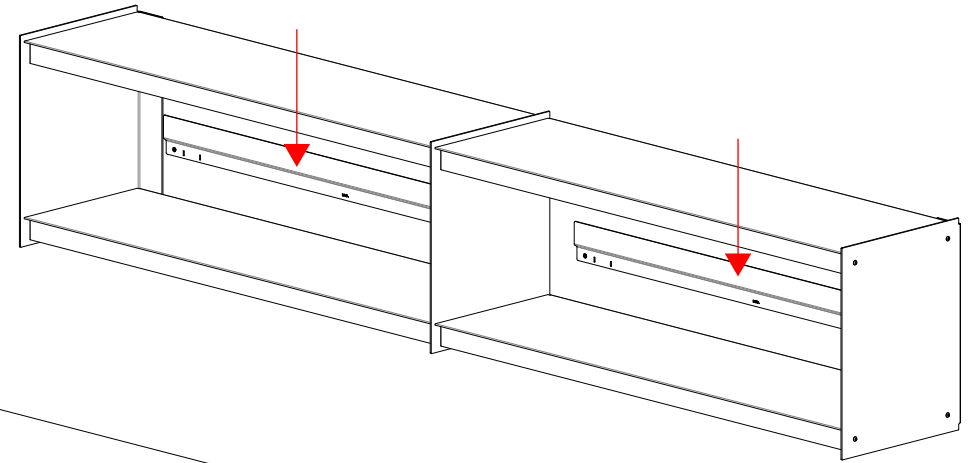
For the Plié Wall Mount 240 cm



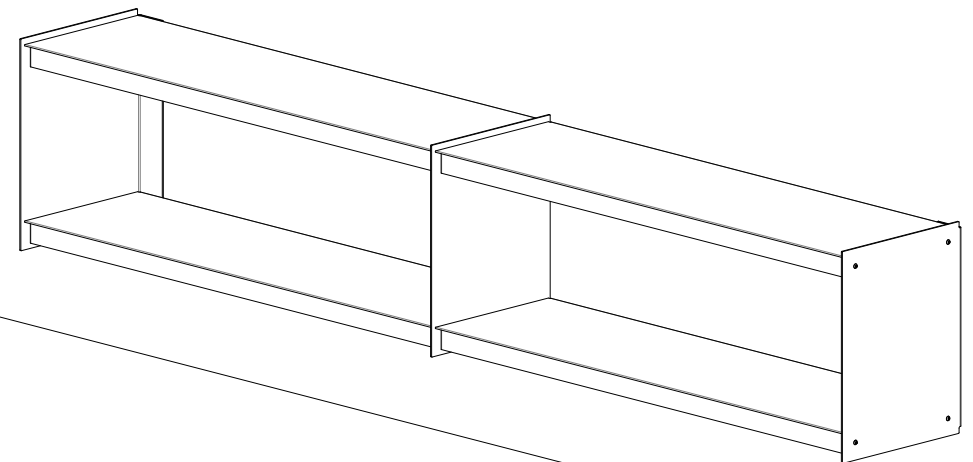
For the Plié Wall Mount 180 cm



8 Slide in the unit onto the wall mounting bar.



9 And that is it!



UTIL

Founded in 2017 and led by Portuguese designer Manuel Amaral Netto and business strategist Tomás Carvalhas, UTIL is a young Lisbon based design brand with a clear focus on enduring and functional storage furniture made from high quality materials. Transcending product design, UTIL's philosophy of simplifying and focusing on the essential is inspired by people and everyday life, every piece of the formally simple and architectural influenced collection is made to last a lifetime.

FROM INDUSTRIAL DESIGN

Is a collaboration between Cesare Bizzotto and Tobias Nitsche. The italo-german duo met during their masters degree in ECAL, Switzerland. Since then been developing industrial products in the fields of furniture and lighting. They are known for developing inovative and forward thinking solutions while always keeping an edge in their aesthetics. They have designed the Plié Shelving System for UTIL.

www.fromindustrialdesign.com

email to shop@thisisutil.com
shop www.thisisutil.com
look at [instagram.com/this_is_util](https://www.instagram.com/this_is_util)
like [facebook.com/thisisutil](https://www.facebook.com/thisisutil)



This is Util Lda
Rua do Giestal 37B
1300-275 Lisboa
Portugal